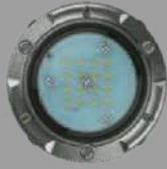


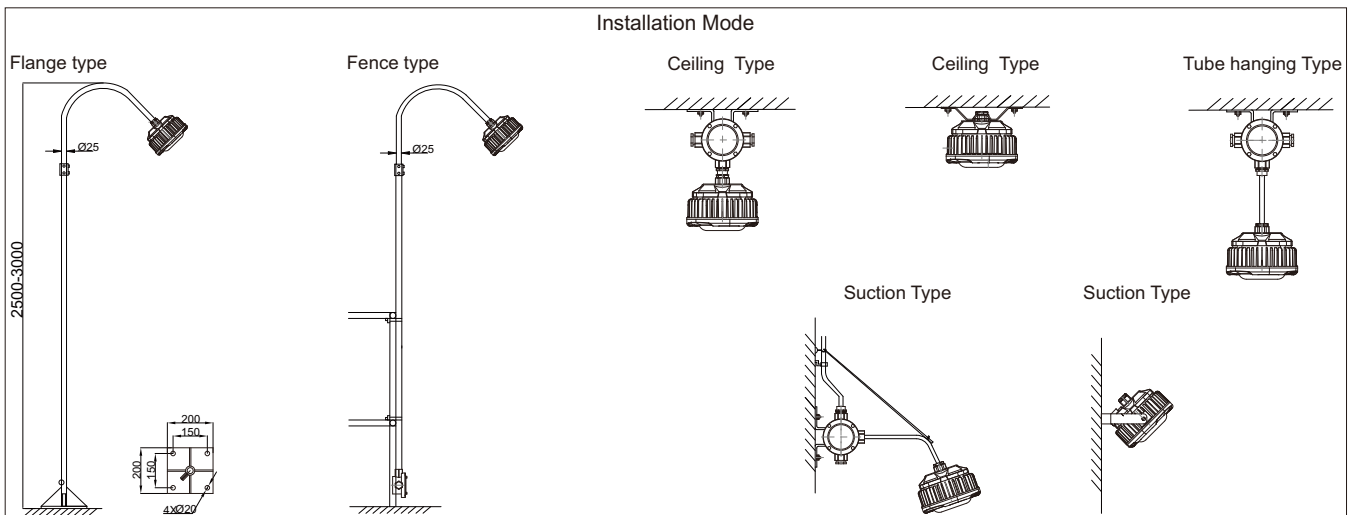
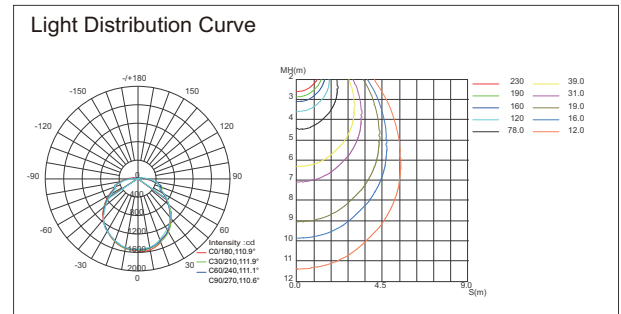
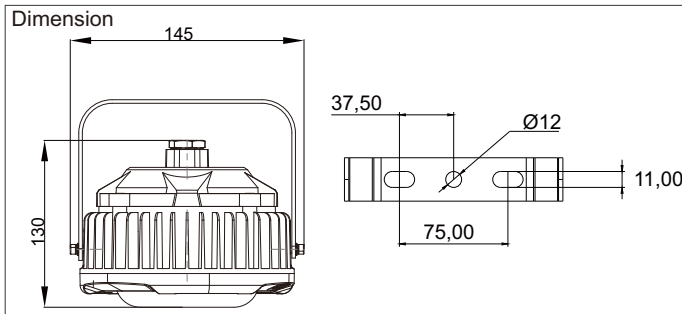
EXPLOSION PROOF

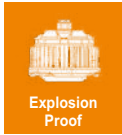
OHBF8230 Small Style

ZERON
NEW LIGHT NEW LIFE



Model	OHBF8230
Executive Standard	GB3836.1, GB3836.2
Rated power	10-30W
Rated Voltage	AC220V 50/60Hz
Weight	1.4Kg
Size	Φ145X130MM
Color Rendering	≥75Ra
Power Factor	>0.9
Beam Angle	120°
Protection Level	IP 66
Anticorrosion Grade	WF2
Light Effect	120LM/W (200LM/W Optional)
Introduction Device	G3/4" Φ8MM-Φ14MM
Explosion Proof Mark	Ex d IIC T6 Gb/Ex TD A21 T80°C





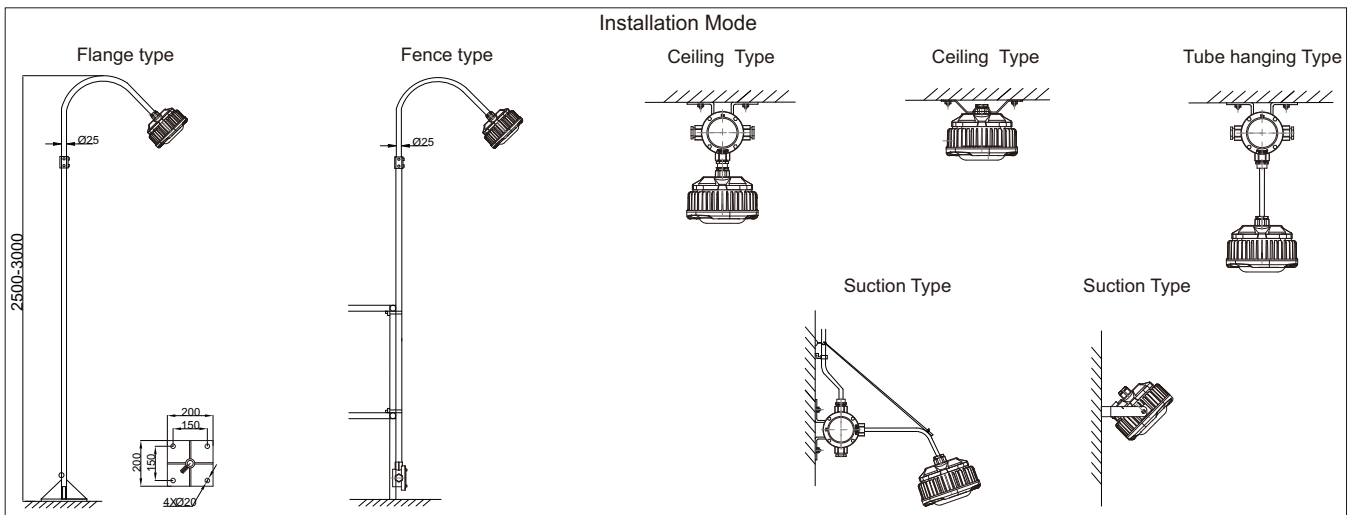
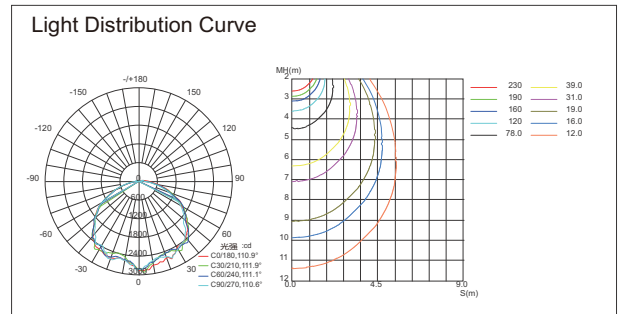
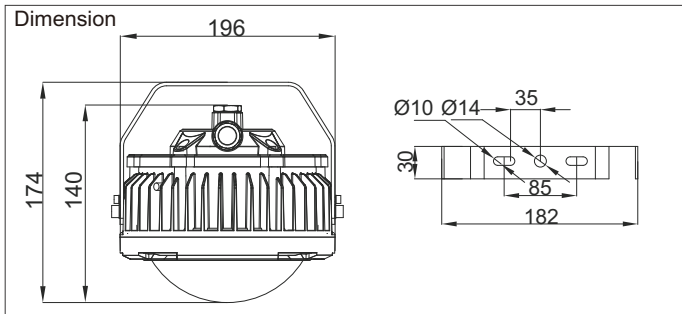
EXPLOSION PROOF

OHBF8230 Big Style

ZERON
NEW LIGHT NEW LIFE



Model	OHBF8230
Executive Standard	GB3836.1, GB3836.2
Rated Power	10-45W
Rated Voltage	AC220V 50/60Hz
Weight	3.2Kg
Size	Φ180X175MM
Color Rendering	≥75Ra
Power Factor	>0.9
Beam Angle	120°
Protection Level	IP 66
Anticorrosion Grade	WF2
Light Effect	120LM/W (200LM/W Optional)
Introduction Device	G3/4" Φ8MM-Φ14MM
Explosion Proof Mark	Ex d IIC T6 Gb/Ex TD A21 T80°C





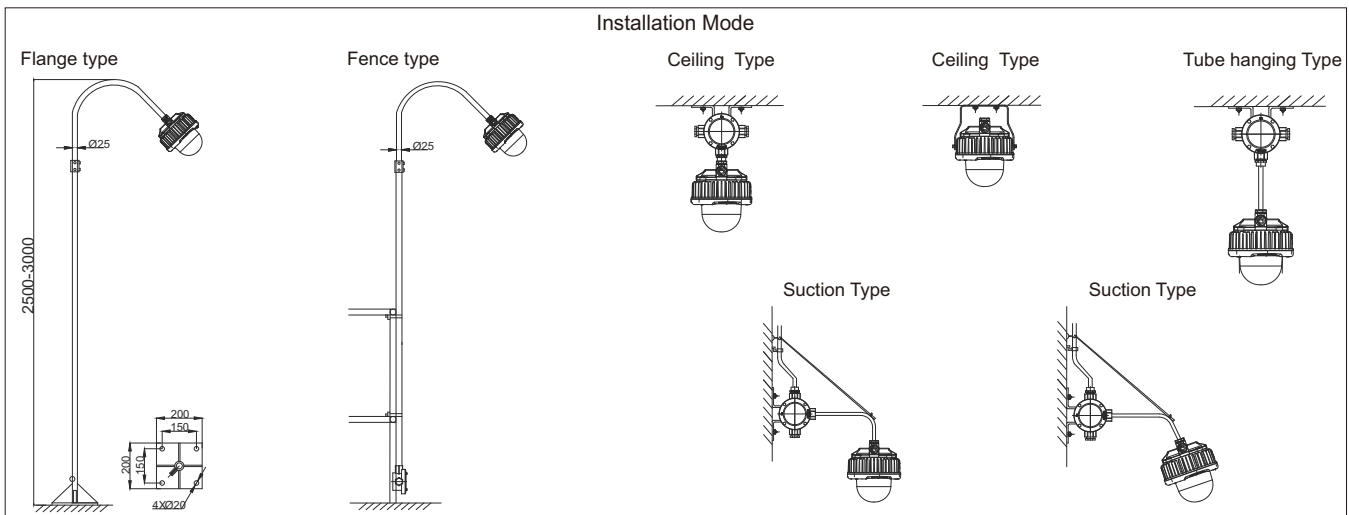
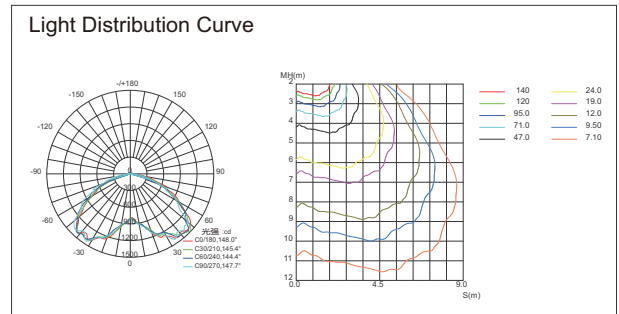
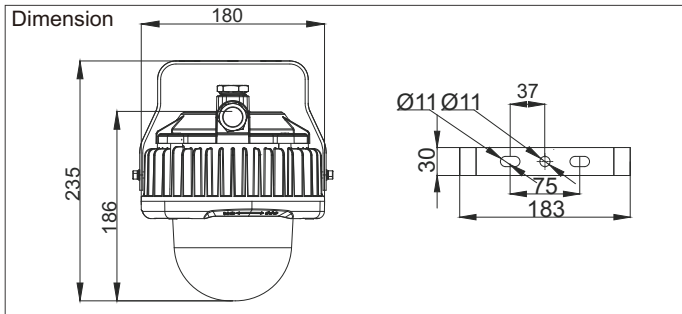
EXPLOSION PROOF

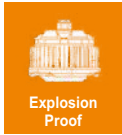
OHBF8230 Long Glass Style

ZERON
NEW LIGHT NEW LIFE



Model	OHBF8230
Executive Standard	GB3836.1, GB3836.2
Rated Power	10-45W
Rated Voltage	AC220V 50/60Hz
Weight	3.5Kg
Size	Φ180X235MM
Color Rendering	≥75Ra
Power Factor	>0.9
Beam Angle	150°
Protection Level	IP 66
Anticorrosion Grade	WF2
Light Effect	120LM/W (200LM/W Optional)
Introduction Device	G3/4" Φ8MM-Φ14MM
Explosion Proof Mark	Ex d IIC T6 Gb/Ex TD A21 T80°C



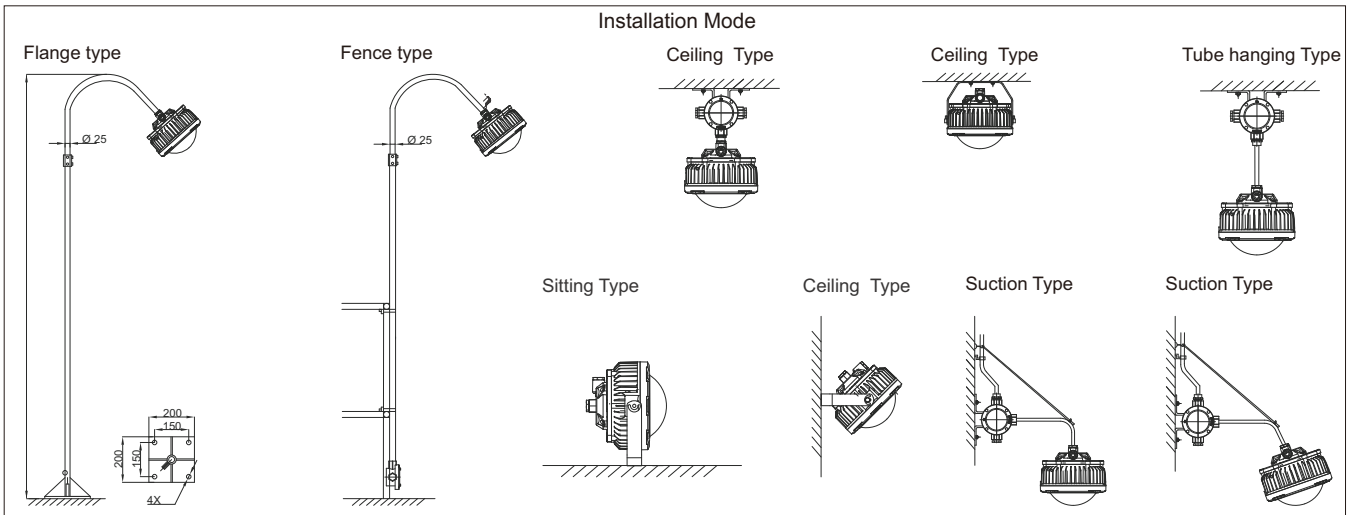
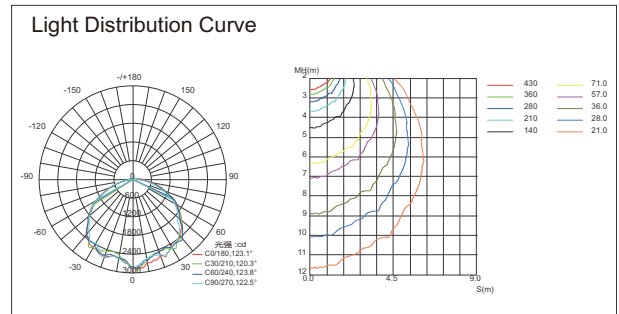
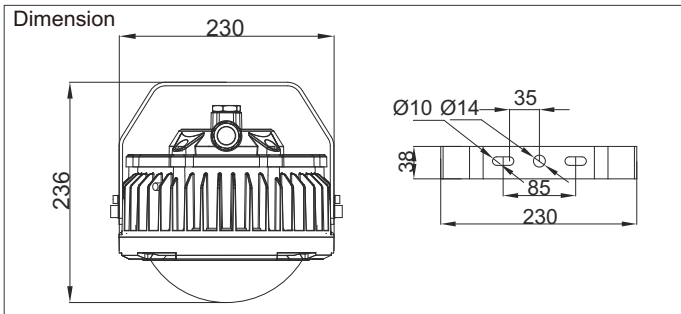


EXPLOSION PROOF

OHBF8231 Short Glass Style



Model	OHBF8231
Executive standard	GB3836.1, GB3836.2
Rated power	40-80W
Rated voltage	AC220V 50/60Hz
Weight	5.4Kg
Size	Φ230X235MM
Color Rendering	≥75Ra
Power Factor	>0.9
Beam Angle	120°
Protection level	IP 66
Anticorrosion grade	WF2
Light Effect	120LM/W (200LM/W Optional)
Introduction device	G3/4" Φ8MM-Φ14MM
Explosion proof mark	Ex d IIC T6 Gb/Ex TD A21 T80°C



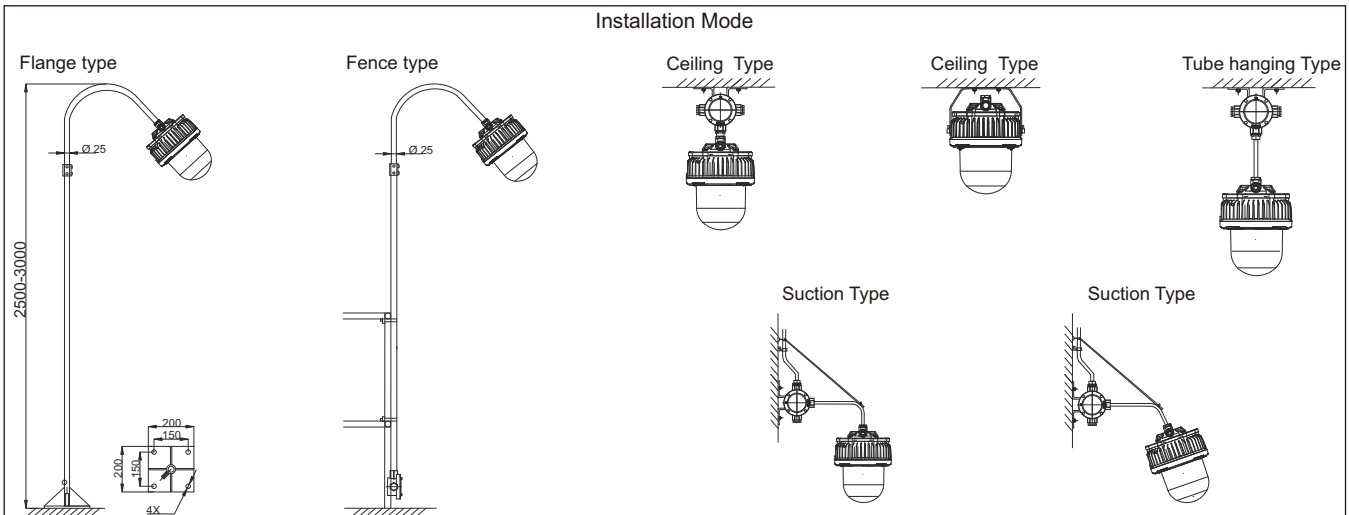
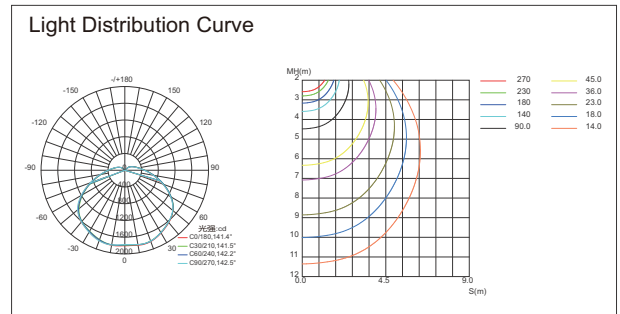
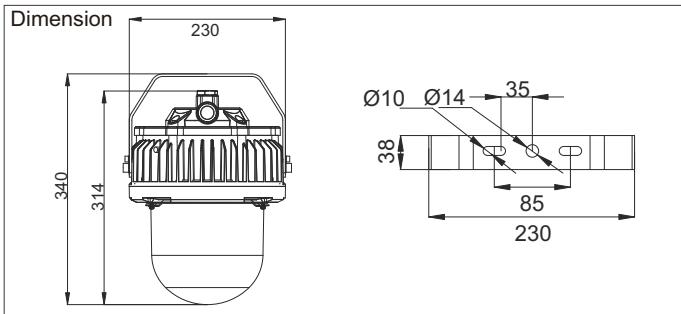


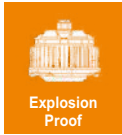
EXPLOSION PROOF

OHBF8231 Long Glass Style



Model	OHBF8231
Executive Standard	GB3836.1, GB3836.2
Rated Power	40-80W
Rated Voltage	AC220V 50/60Hz
Weight	6.4Kg
Size	Φ230X314MM
Color Rendering	≥75Ra
Power Factor	>0.9
Beam Angle	150°
Protection Level	IP 68
Anticorrosion Grade	WF2
Light Effect	120LM/W (200LM/W Optional)
Introduction Device	G3/4" Φ8MM-Φ14MM
Explosion Proof Mark	Ex d IIC T6 Gb/Ex TD A21 T80°C



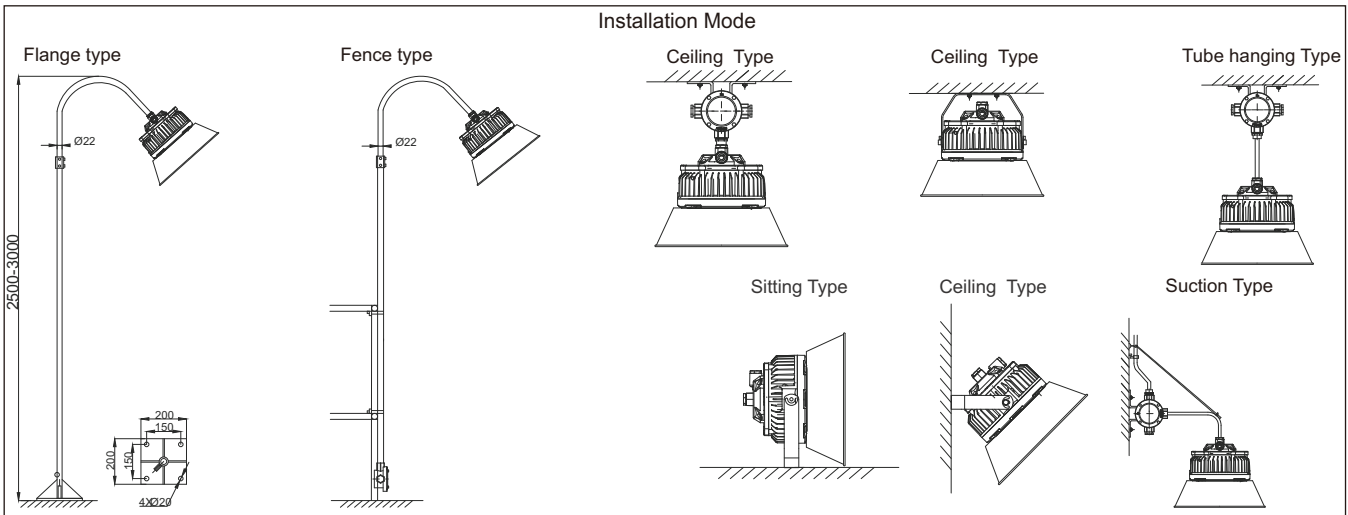
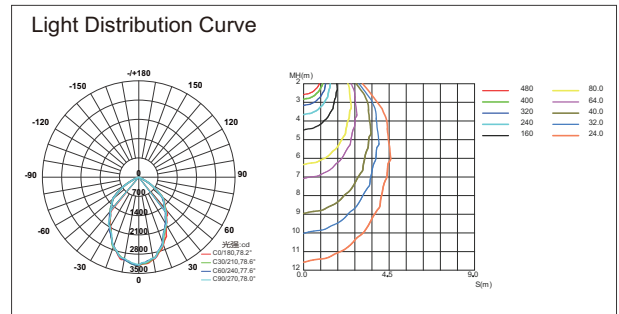
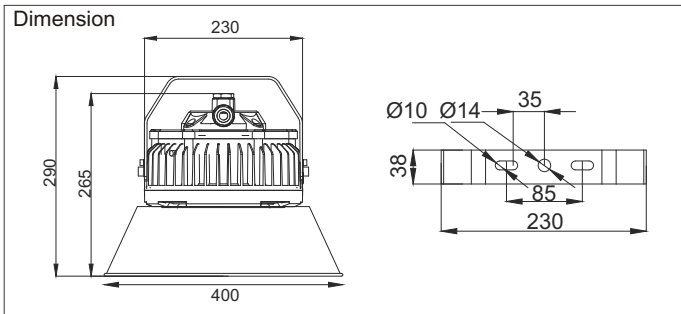


EXPLOSION PROOF

OHBF8231 Lamp Cover Style



Model	OHBF8231
Executive Standard	GB3836.1, GB3836.2
Rated Power	40-80W
Rated Voltage	AC220V 50/60Hz
Weight	5.7Kg
Size	Φ400X265MM
Color Rendering	≥75Ra
Power Factor	>0.9
Beam Angle	80°
Protection Level	IP 68
Anticorrosion Grade	WF2
Light Effect	120LM/W (200LM/W Optional)
Introduction Device	G3/4" Φ8MM-Φ14MM
Explosion Proof Mark	Ex d IIC T6 Gb/Ex TD A21 T80°C





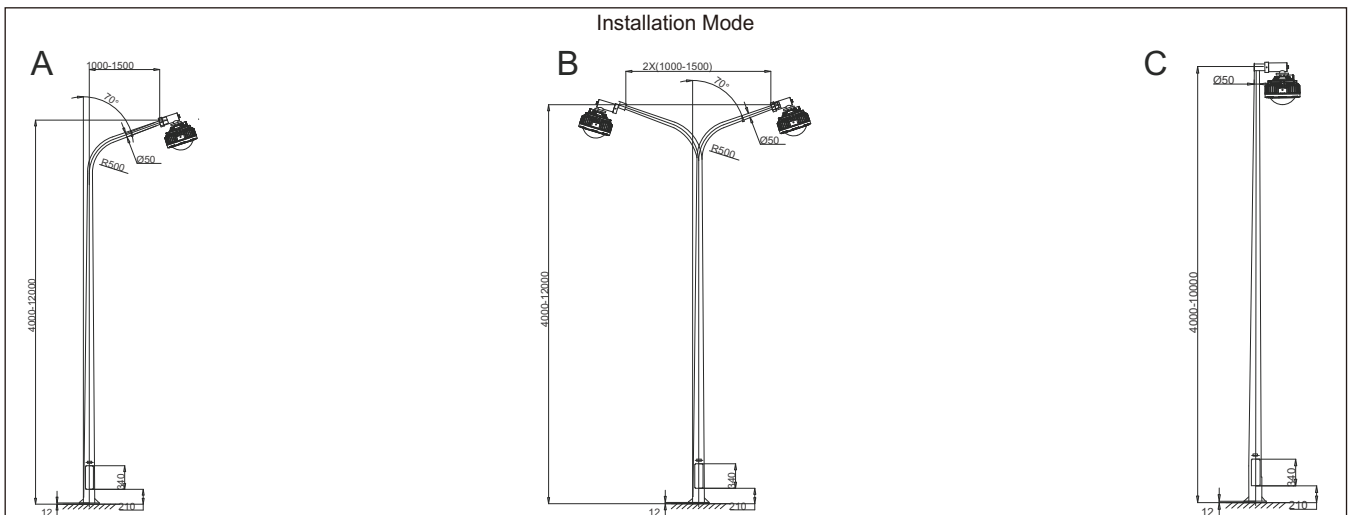
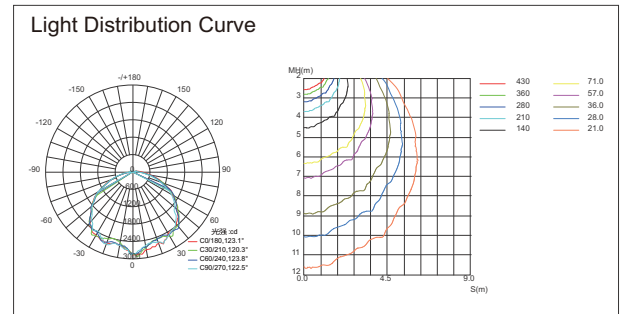
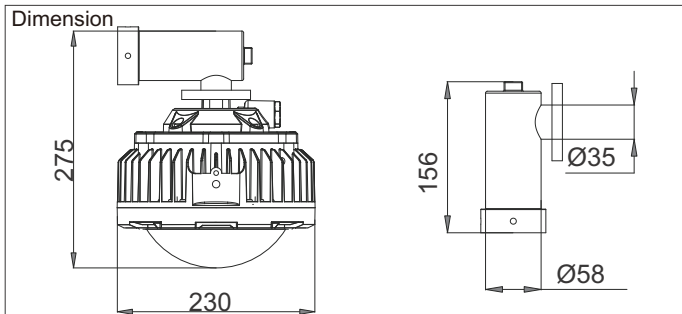
EXPLOSION PROOF

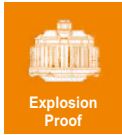
OHBF8232 Street Lamp

ZERON
NEW LIGHT NEW LIFE



Model	OHBF8232
Executive Standard	GB3836.1, GB3836.2
Rated Power	40-80W
Rated Voltage	AC220V 50/60Hz
Weight	6.4Kg
Size	Φ230X275MM
Color Rendering	≥75Ra
Power Factor	>0.9
Beam Angle	150°
Protection Level	IP 66
Anticorrosion Grade	WF2
Light Effect	120LM/W (200LM/W Optional)
Street Light Caliber	14MM
Explosion Proof Mark	Ex d IIC T6 Gb/Ex TD A21 T80°C



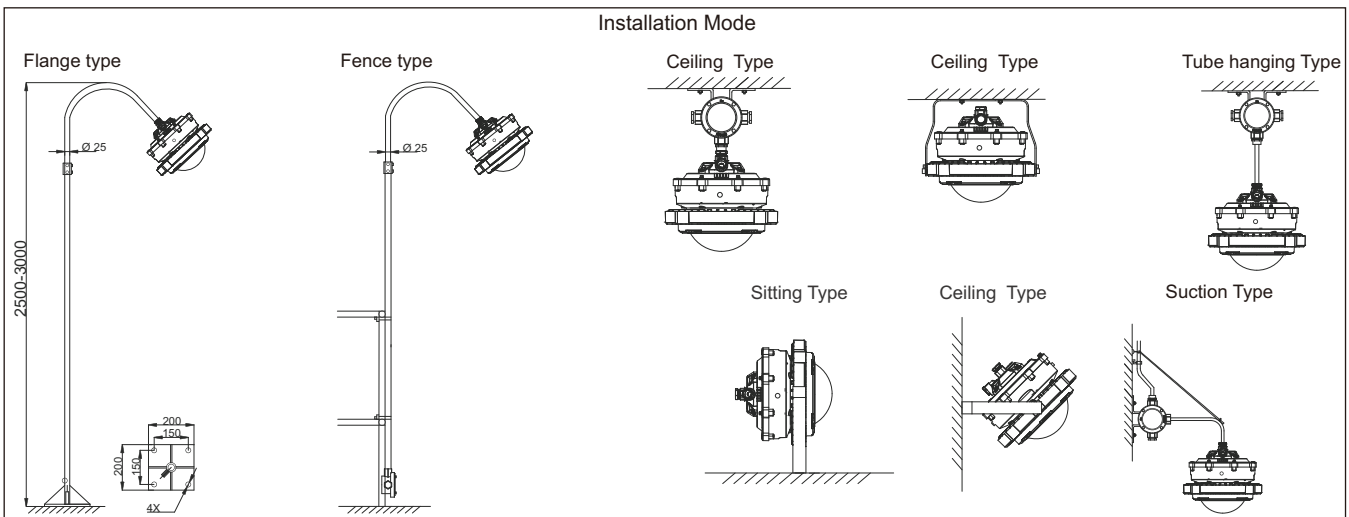
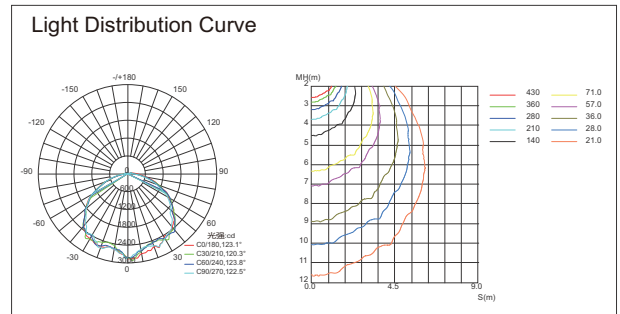
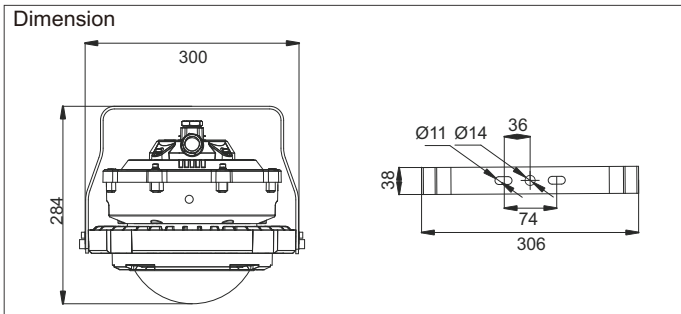


EXPLOSION PROOF

OHBF8232 Short Glass



Model	OHBF8232
Executive Standard	GB3836.1, GB3836.2
Rated Power	80-150W
Rated Voltage	AC220V 50/60Hz
Weight	6.8Kg
Size	Φ300X285MM
Color Rendering	≥75Ra
Power Factor	>0.9
Beam Angle	120°
Protection Level	IP 66
Anticorrosion Grade	WF2
Light Effect	120LM/W (200LM/W Optional)
Street Light Caliber	G3/4" Φ8MM-Φ14MM
Explosion Proof Mark	Ex d IIC T6 Gb/Ex TD A21 T80°C



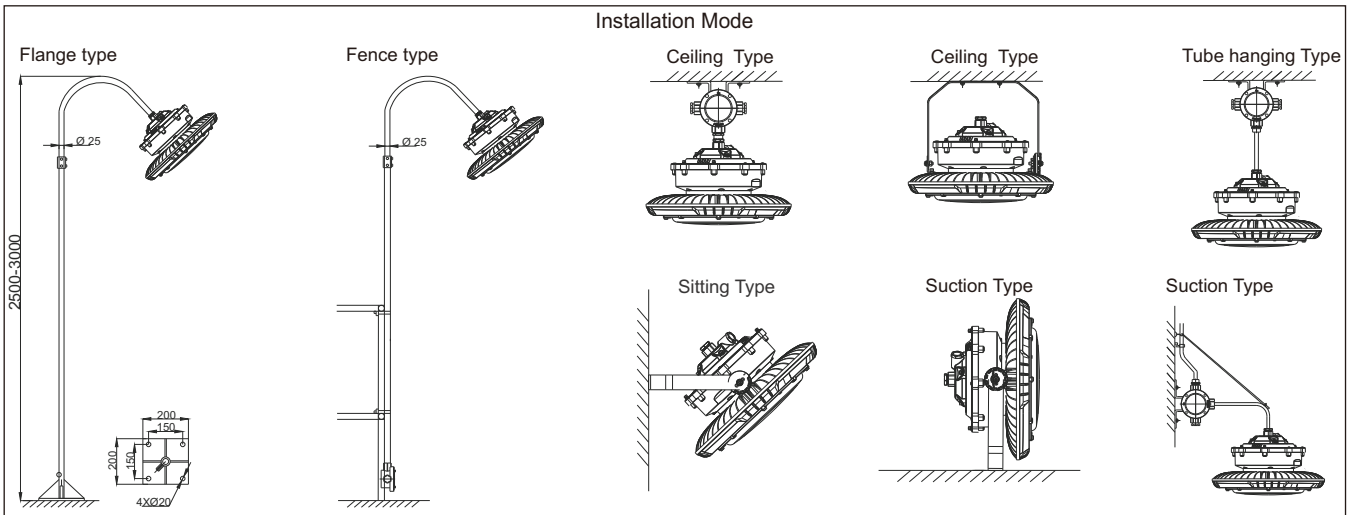
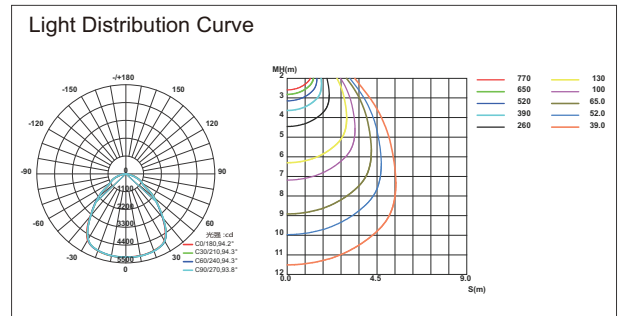
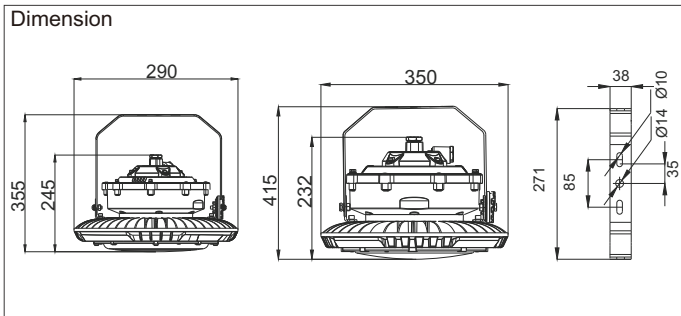


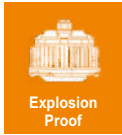
EXPLOSION PROOF

OHBF8235 & OHBF8235



Model	OHBF8235
Executive Standard	GB3836.1, GB3836.2
Rated Power	100-150W/160-240W
Rated Voltage	AC220V 50/60Hz
Weight	5.8Kg/8.8Kg
Size	Φ355X290MM/Φ415X350MM
Color Rendering	≥75Ra
Power Factor	>0.9
Beam Angle	90°
Protection Level	IP 66
Anticorrosion Grade	WF2
Light Effect	120LM/W (200LM/W Optional)
Introduction Device	G3/4" Φ8MM-Φ14MM
Explosion Proof Mark	Ex d IIC T6 Gb/Ex TD A21 T80°C





EXPLOSION PROOF

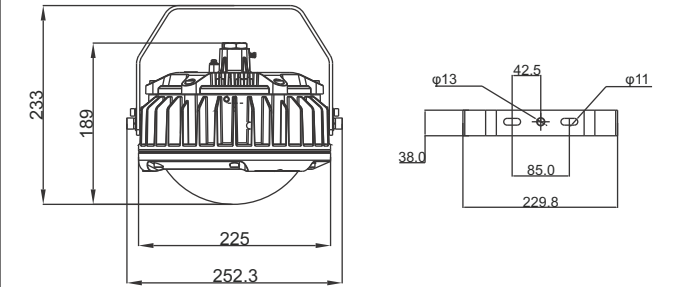
OHBF820 Short Glass

ZERON
NEW LIGHT NEW LIFE

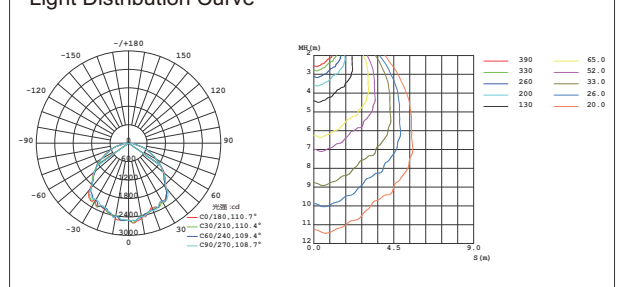


Model	OHBF820
Executive Standard	GB3836.1, GB3836.2, GB3836.3
Rated Power	50-80W
Rated Voltage	AC220V 50/60Hz
Weight	4.1Kg
Size	Φ225X190MM
Color Rendering	≥75Ra
Power Factor	>0.9
Beam Angle	120°
Protection Level	IP 66
Anticorrosion Grade	WF2
Light Effect	120LM/W (200LM/W Optional)
Introduction Device	G3/4" Φ8MM-Φ14MM
Explosion Proof Mark	Ex d IIC T6 Gb/Ex TD A21 T80°C

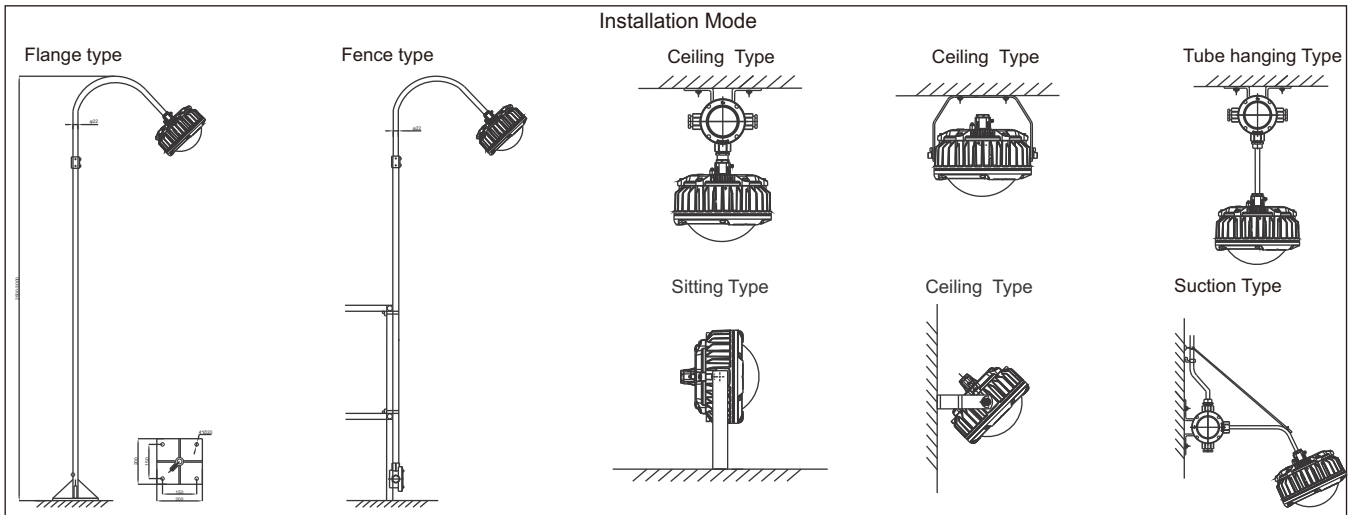
Dimension

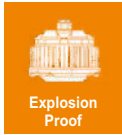


Light Distribution Curve



Installation Mode



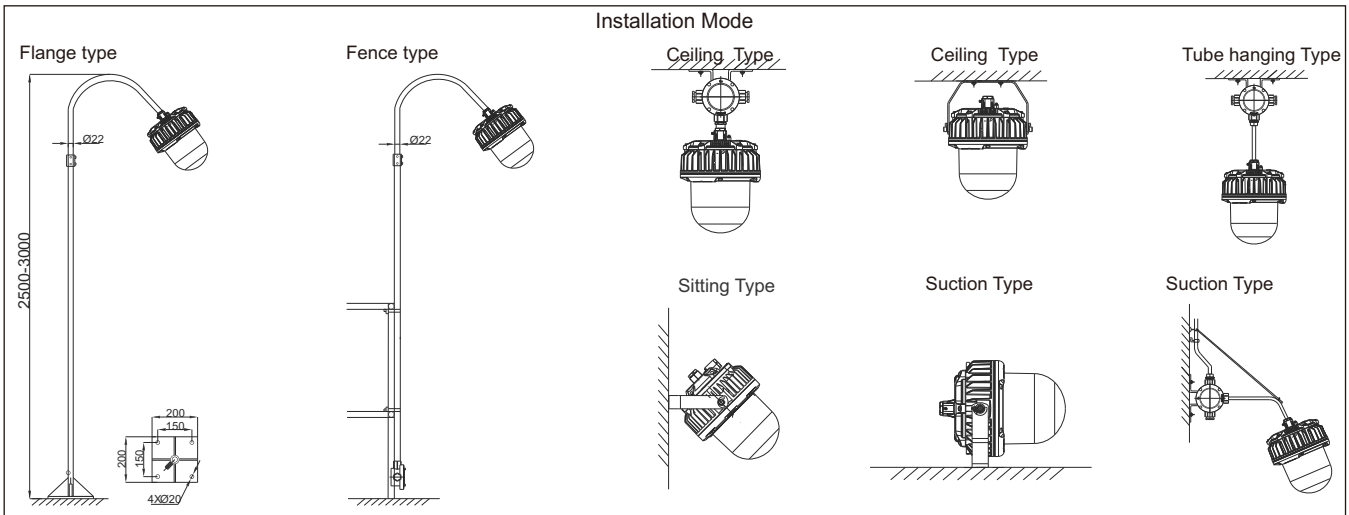
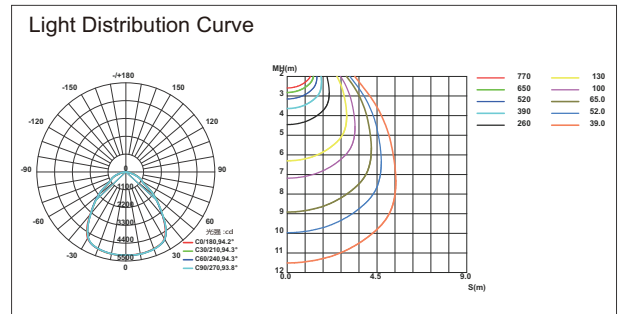
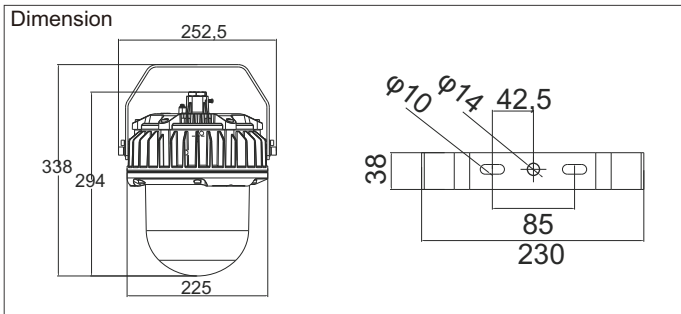


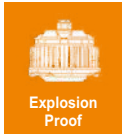
EXPLOSION PROOF

OHBF820 Long Glass



Model	OHBF820
Executive Standard	GB3836.1, GB3836.2, GB3836.3
Rated Power	50-80W
Rated Voltage	AC220V 50/60Hz
Weight	5.8Kg/8.8Kg
Size	Φ225X294MM
Color Rendering	≥75Ra
Power Factor	>0.9
Beam Angle	150°
Protection Level	IP 66
Anticorrosion Grade	WF2
Light Effect	120LM/W (200LM/W Optional)
Introduction Device	G3/4" Φ8MM-Φ14MM
Explosion Proof Mark	Ex d IIC T6 Gb/Ex TD A21 T80°C



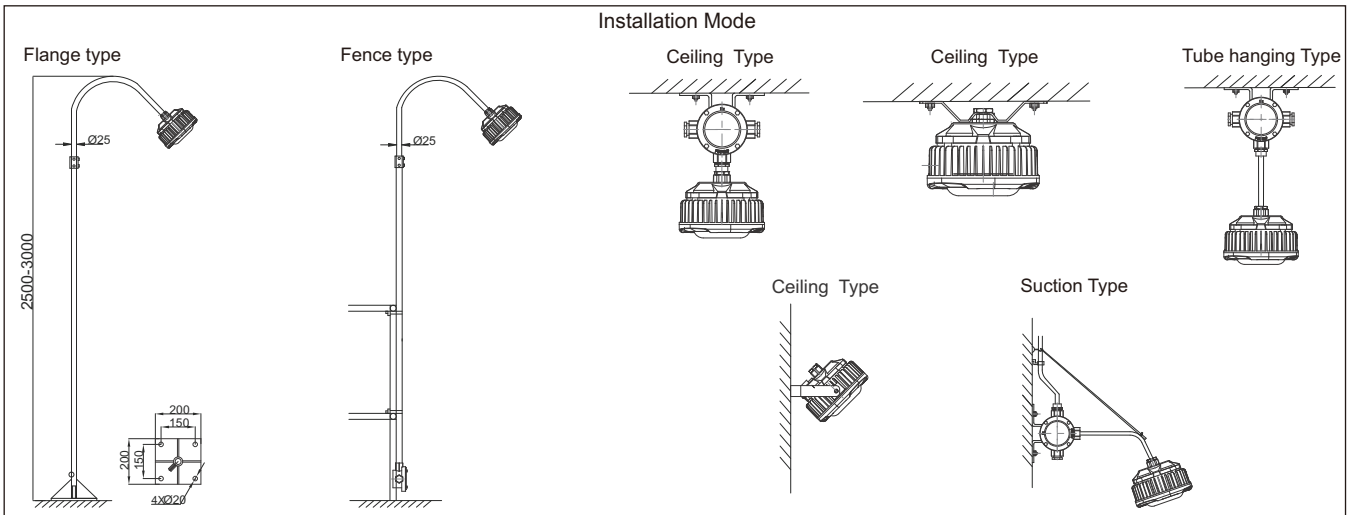
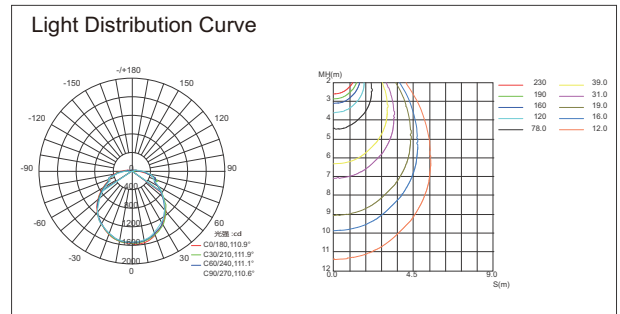
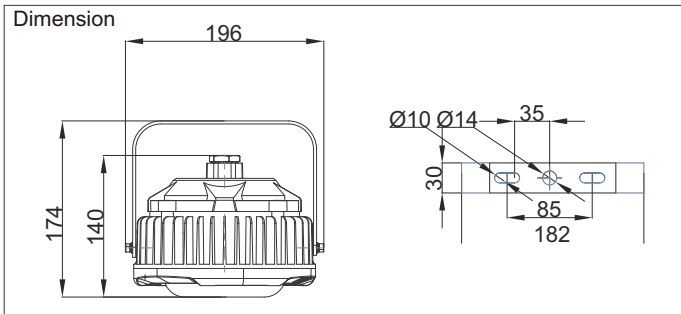


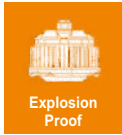
EXPLOSION PROOF

OHBF820 DGS30-127L



Model	DGS30/127
Executive Standard	GB3836.1, GB3836.9
Rated Power	10/12/18/24/36/48W
Rated Voltage	AC220V 50/60Hz
Weight	3.2Kg
Size	Φ180X175MM
Color Rendering	≥75Ra
Power Factor	>0.9
Beam Angle	120°
Protection Level	IP 66
Anticorrosion Grade	WF2
Light Effect	120LM/W (200LM/W Optional)
Introduction Ddevice	G3/4" Φ8MM-Φ14MM
Explosion Proof Mark	Ex d IIC T6 Gb/Ex TD A21 T80°C





EXPLOSION PROOF

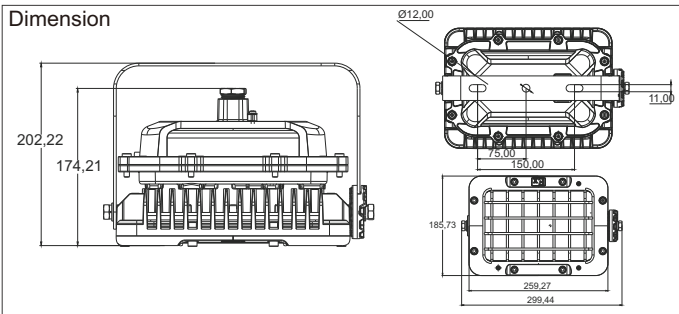
OHBF8260 Small

ZERON
NEW LIGHT NEW LIFE

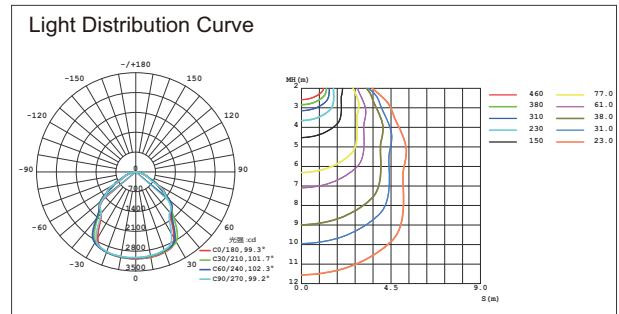


Model	OHBF8260
Executive Standard	GB3836.1, GB3836.2
Rated Power	70-100W
Rated Voltage	AC220V 50/60Hz
Weight	4.8Kg
Size	259X186X174MM
Color Rendering	≥75Ra
Power Factor	>0.9
Beam Angle	90°
Protection Level	IP 66
Anticorrosion Grade	WF2
Light Effect	120-200LM/W
Introduction Device	G3/4" Φ8MM-Φ14MM
Explosion Proof Mark	Ex d IIC T6 Gb/Ex TD A21 T80°C

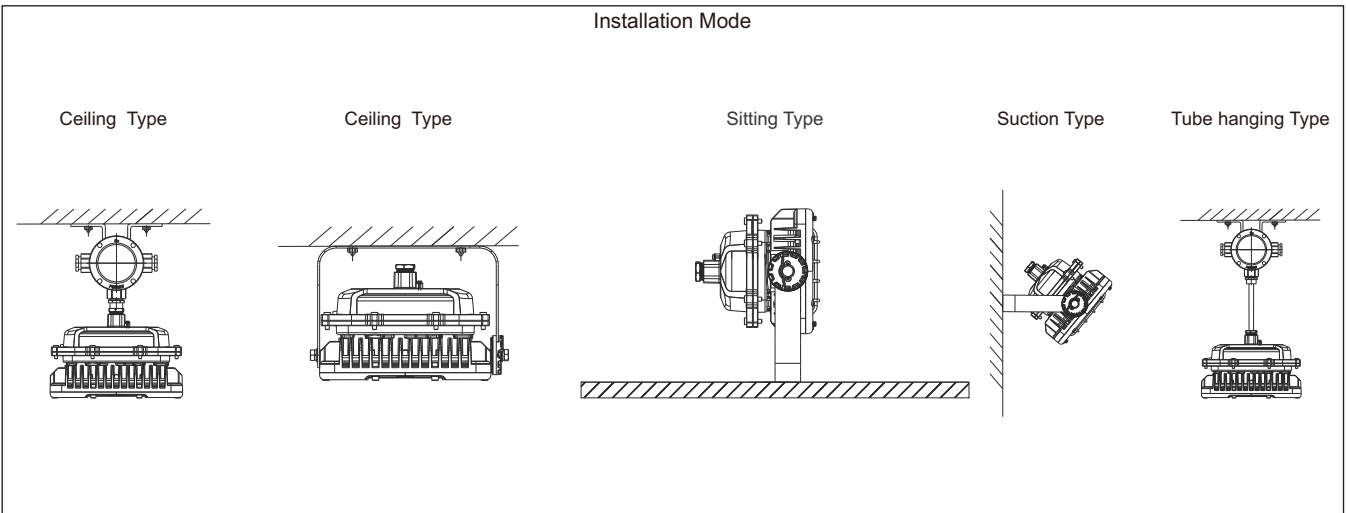
Dimension



Light Distribution Curve



Installation Mode





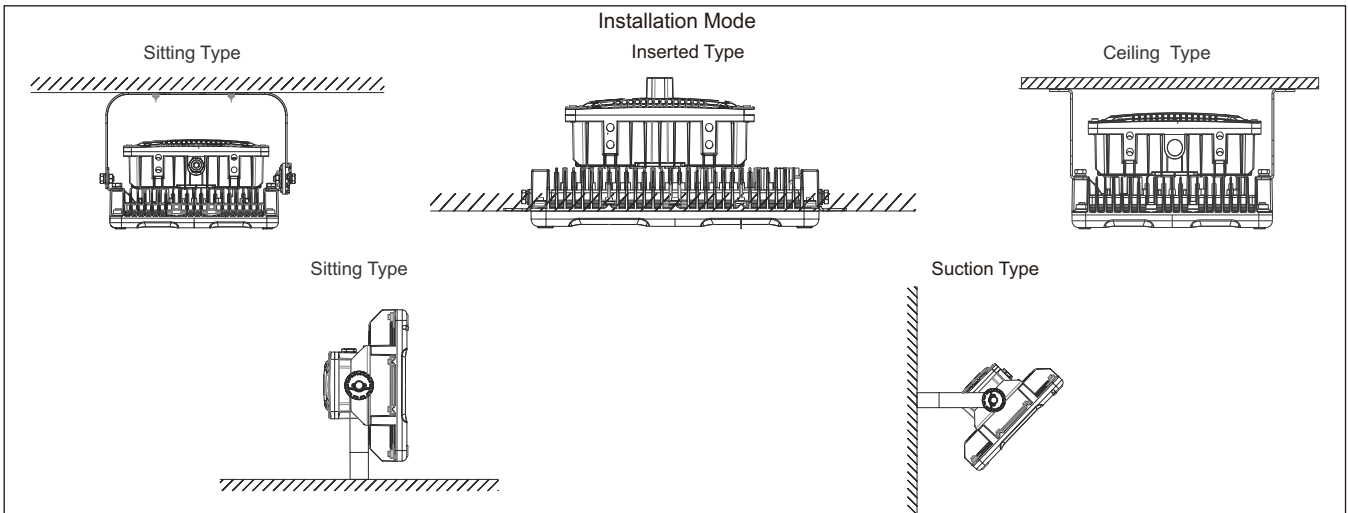
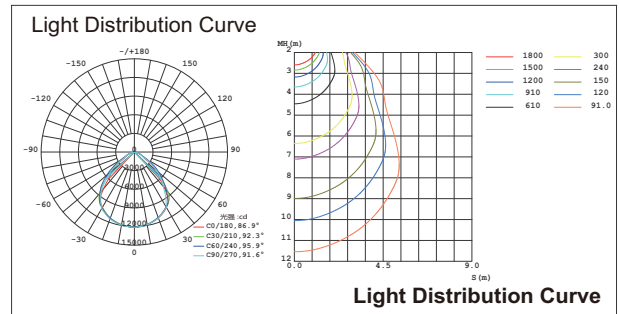
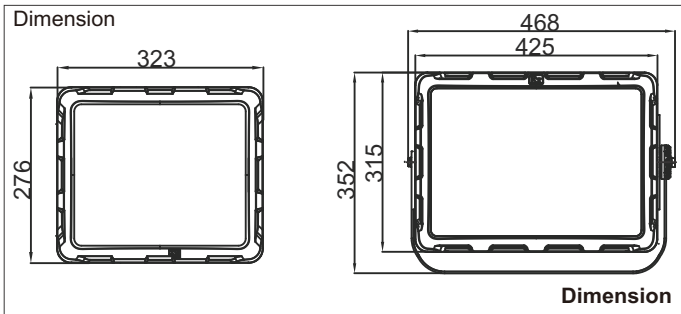
EXPLOSION PROOF

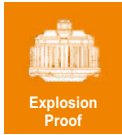
OHBF8261 Medium & Big

ZERON
NEW LIGHT NEW LIFE



Model	OHBF8261
Executive standard	GB3836.1, GB3836.2, GB3836.9
Rated power	100-200W/200-300W
Rated voltage	AC220V 50/60Hz
Weight	5.4Kg
Size	324X276X261MM/425X315X296MM
Color Rendering	≥75Ra
Power Factor	>0.9
Beam Angle	90°
Protection Level	IP 66
Anticorrosion Grade	WF2
Light Effect	120-200LM/W
Introduction Device	G3/4" Φ8MM-Φ14MM
Explosion Proof Mark	Ex d IIC T6 Gb/Ex TD A21 T80°C

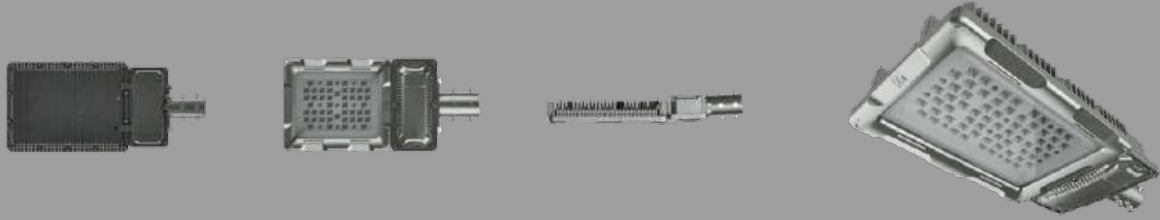




EXPLOSION PROOF

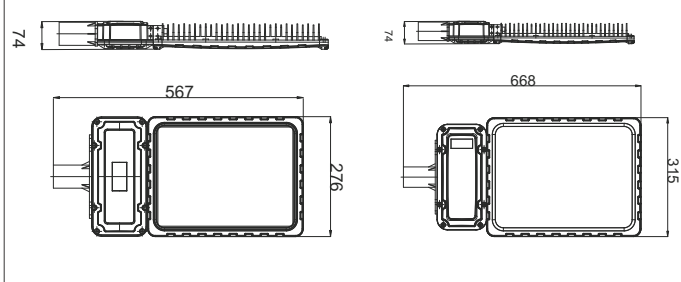
OHBF8260 Street Lamp Medium & Big

ZERON
NEW LIGHT NEW LIFE

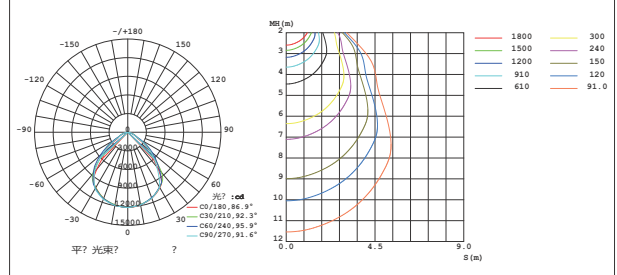


Model	OHBF8260
Executive Standard	GB3836.1, GB3836.2, GB3836.3, GB3836.9
Rated Power	70-200W/200-300W
Rated Voltage	AC220V 50/60Hz
Weight	10.5Kg/13.5Kg
Size	567X276X74MM/688X315X74MM
Color Rendering	≥75Ra
Power Factor	>0.9
Beam Angle	120°
Protection Level	IP 66
Anticorrosion Grade	WF2
Light Effect	120-200LM/W
Introduction Device	65MM
Explosion Proof Mark	Ex d IIC T6 Gb/Ex TD A21 T80°C

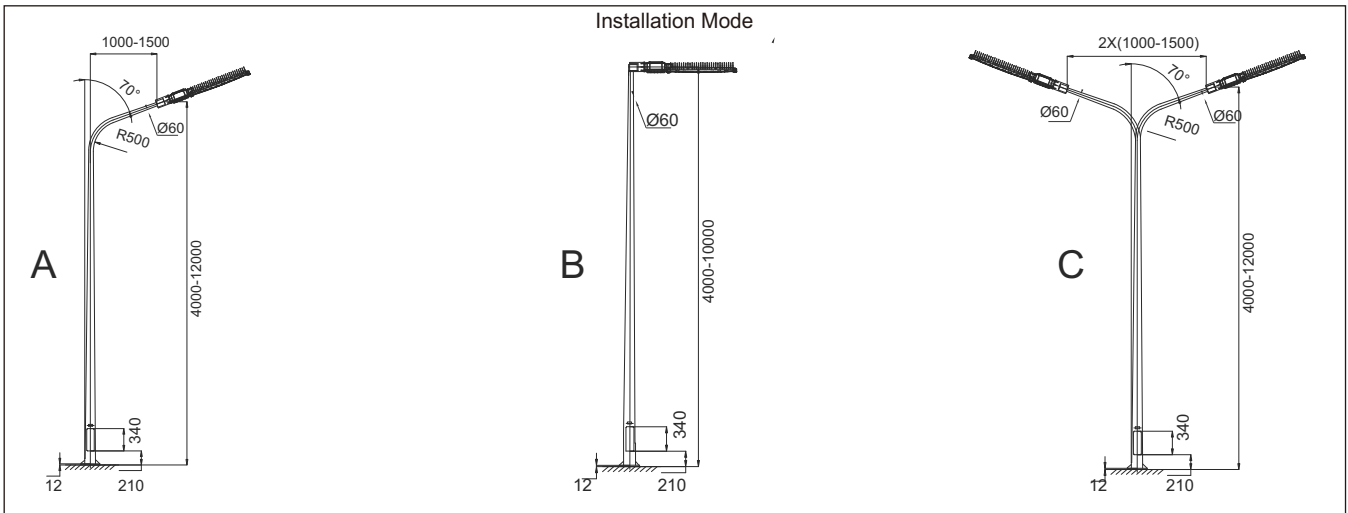
Dimension

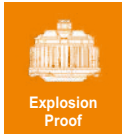


Light Distribution Curve



Installation Mode





EXPLOSION PROOF

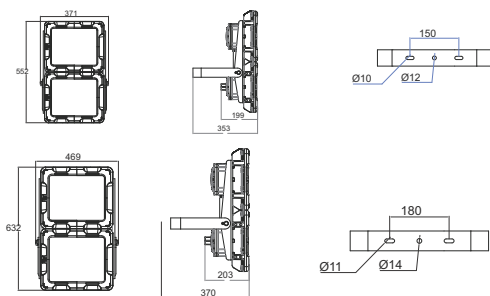
OHBF8266 Medium & Big

ZERON
NEW LIGHT NEW LIFE

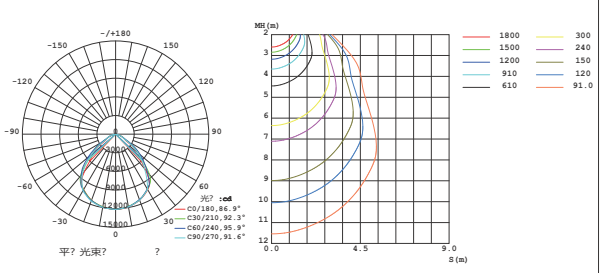


Model	OHBF8266
Executive Standard	GB3836.2, GB3836.3, GB3836.9
Rated Power	300-400W/400-600W
Rated Voltage	AC220V 50/60Hz
Weight	18Kg/25Kg
Size	552X371X353XMM/632X469X370MM
Color Rendering	≥75Ra
Power Factor	>0.9
Beam Angle	90°
Protection Level	IP 66
Anticorrosion Grade	WF2
Light Effect	120-200LM/W
Introduction Device	G3/4" Φ8MM-Φ14MM
Explosion Proof Mark	Ex d IIC T6 Gb/Ex TD A21 T80°C

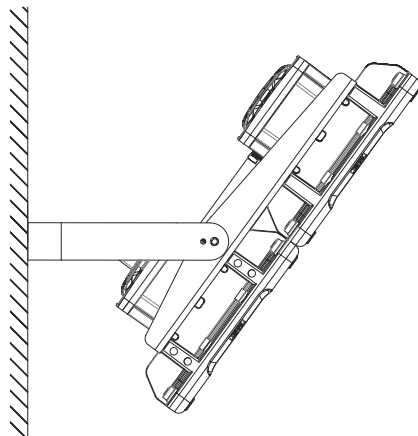
Dimension



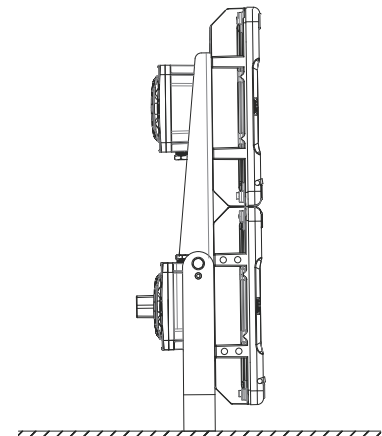
Light Distribution Curve



Installation Mode



Suction Type



Sitting Type



EXPLOSION PROOF

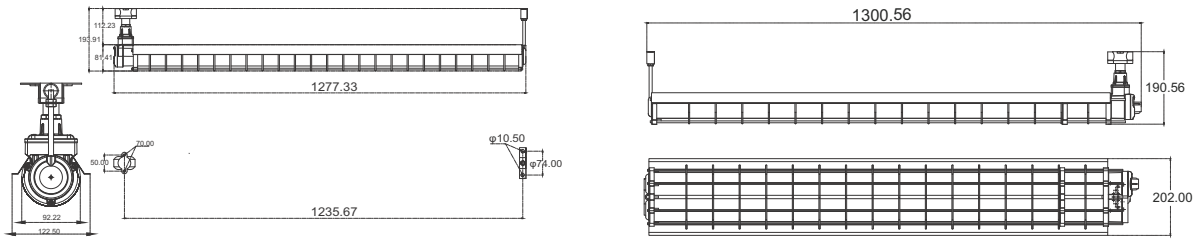
OHBF51S & OHBF51D

ZERON
NEW LIGHT NEW LIFE



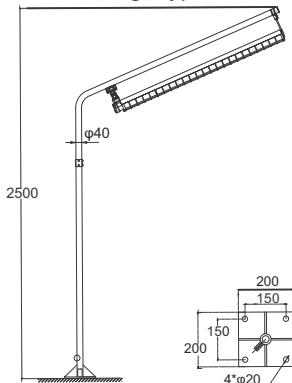
Model	OHBF51S & OHBF51D
Executive Standard	GB3836.1, GB3836.2,
Rated Power	1X18W/2X18W
Rated Voltage	AC220V 50/60Hz
Weight	3.8Kg/5.8Kg
Size	1280X123X146MM/1300X202X146MM
Color Rendering	≥75Ra
Power Factor	>0.9
Emergency Time	90-180 Min
Protection Level	IP 66
Anticorrosion Grade	WF2
Light Effect	120-200LM/W
Introduction Device	G3/4"Φ8MM-Φ14MM
Explosion Proof Mark	Ex d IIC T6 Gb/Ex TD A21 T80°C

Dimension

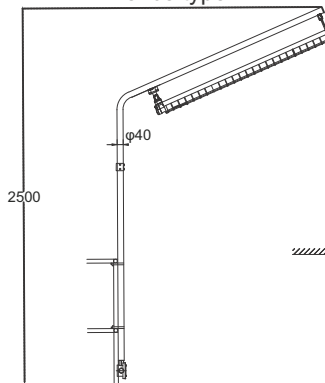


Installation Mode

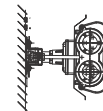
Flange type



Fence type

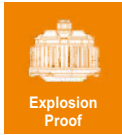


Suction Type



Ceiling Type





EXPLOSION PROOF

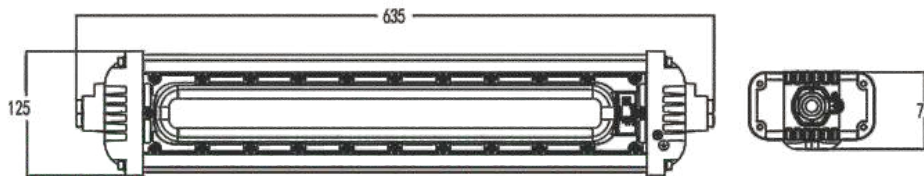
OHBF8192-600

ZERON
NEW LIGHT NEW LIFE

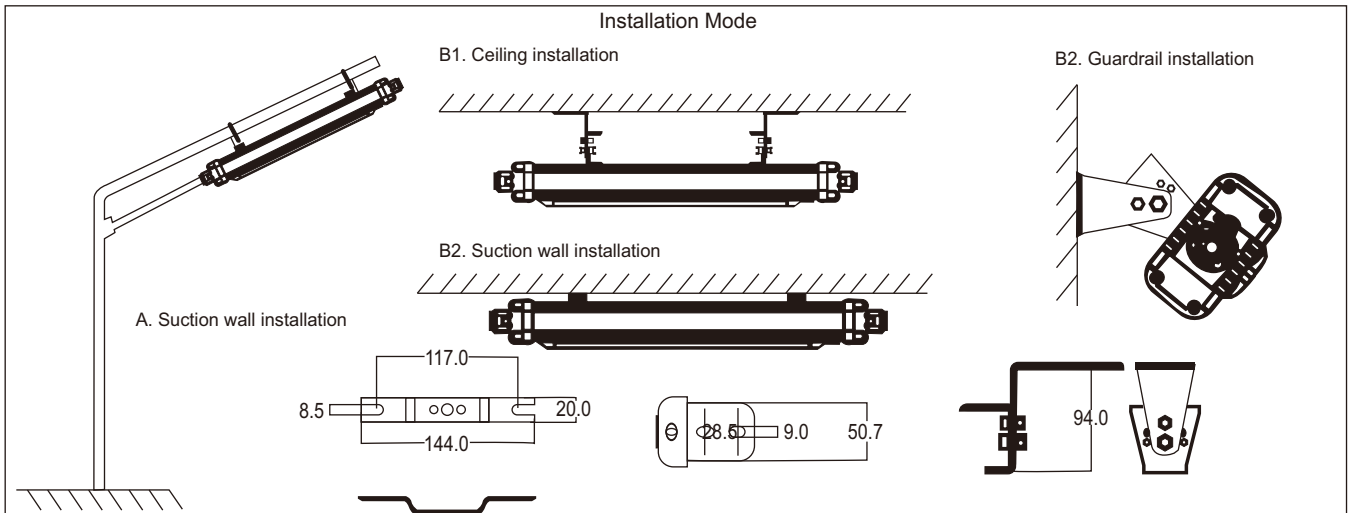


Model	OHBF8292		
Executive standard	GB3836.2, GB3836.9		
Rated Power	20W	40W	60W
Rated Voltage	AC220V 50/60Hz		
Weight	3.2kG		
Size	1280X123X146MM/1300X202X146MM		
Color Rendering	≥75Ra		
Power Factor	>0.9		
Beam Angle	120 Deg		
Protection Level	IP 66		
Anticorrosion Grade	WF2		
Light Effect	200LM/W		
Introduction Device	2400Lm	4800lm	7200Lm
Explosion Proof Mark	Ex d IIC T6 Gb/Ex TD A21 T80°C		

Dimension



Installation Mode





EXPLOSION PROOF

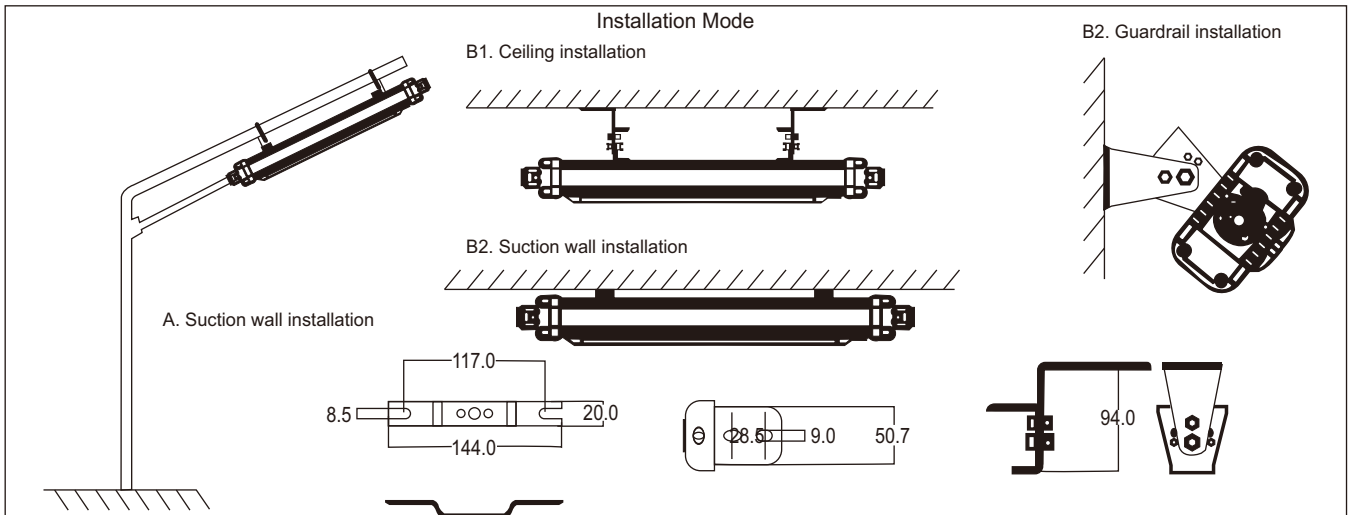
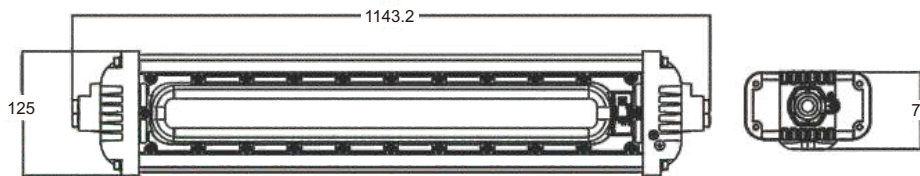
OHBF8192-1200

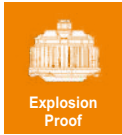
ZERON
NEW LIGHT NEW LIFE



Model	OHBF8192-1200
Executive Standard	GB3836.2, GB3836.9,
Rated Power	120W
Rated Voltage	AC220V 50/60Hz
Weight	4.7Kg
Size	1143X125X77MM
Color Rendering	≥70Ra
Power Factor	>0.9
Beam Angle	240 Deg
Protection Level	IP 66
Anticorrosion Grade	WF2
Light Effect	120LM/W
Total Lumen	14.400Lm
Explosion Proof Mark	Ex d IIC T6 Gb/Ex TD A21 T80°C

Dimension





EXPLOSION PROOF

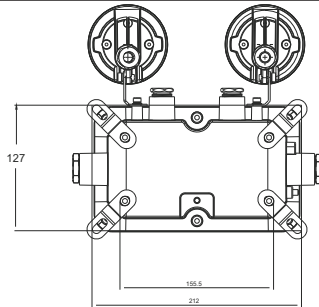
OHBF8190

ZERON
NEW LIGHT NEW LIFE

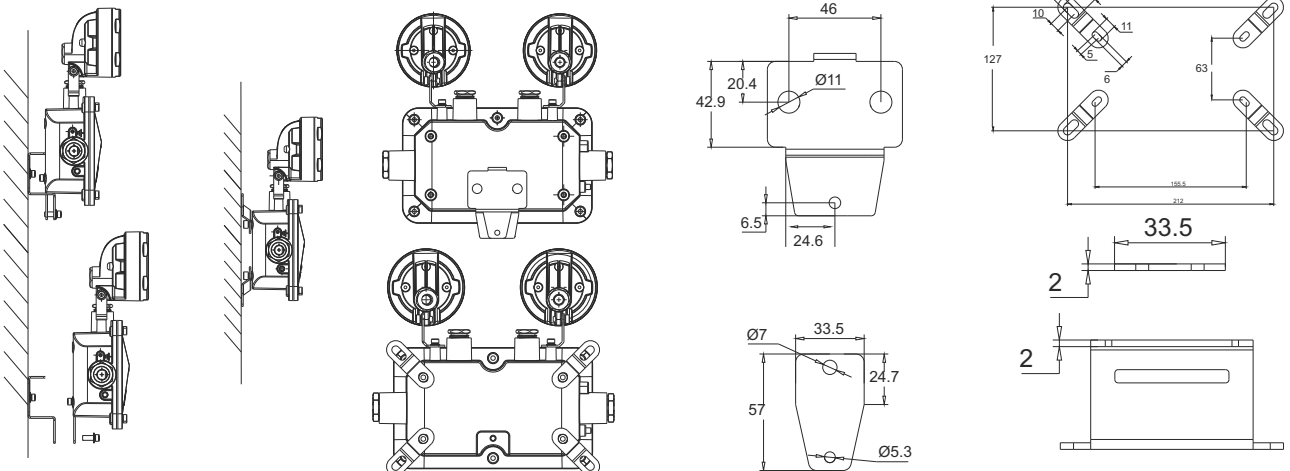


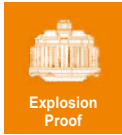
Model	ZFZD-E2W-OHBF8190
Executive Standard	GB3836.1, GB3836.2, GB12476.1, GB12476.5
Rated Power	2X6W/2X3W/2X1W
Rated Voltage	AC220V 50/60Hz
Weight	2.5Kg
Size	230X260X85MM
Color Rendering	≥75Ra
Power Factor	>0.9
Emergency Time	90-180MIN
Protection Level	IP 66
Anticorrosion Grade	WF2
Light Effect	120-200LM/W
Introduction Device	G3/4" Φ8MM-Φ14MM
Explosion Proof Mark	Ex d IIC T6 Gb/Ex TD A21 T80°C

Dimension



Installation Mode

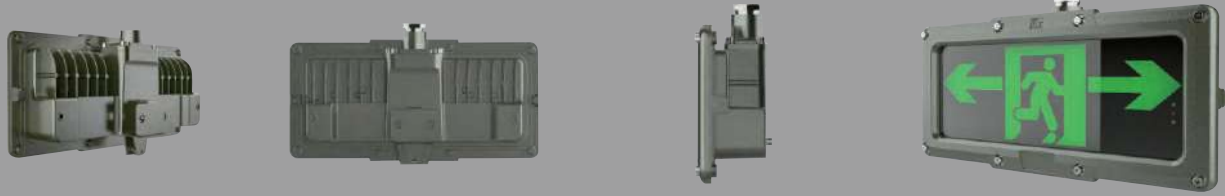




EXPLOSION PROOF

OHBF8191

ZERON
NEW LIGHT NEW LIFE



Model	ZFZD-E2W-OHBF8191
Executive Standard	GB3836.1, GB3836.2, GB12476.1, GB12476.5,
Rated Power	3W/6W/1W
Rated Voltage	AC220V 50/60Hz
Weight	2.8Kg
Size	350X193X77MM
Color Rendering	≥75Ra
Power Factor	>0.9
Start-up Time	≤0.2S
Protection Level	IP 66
Anticorrosion Grade	WF2
Light Effect	120-200LM/W
Introduction Device	G3/4"Φ8MM-Φ14MM
Explosion Proof Mark	Ex d IIC T6 Gb/Ex TD A21 T80°C

